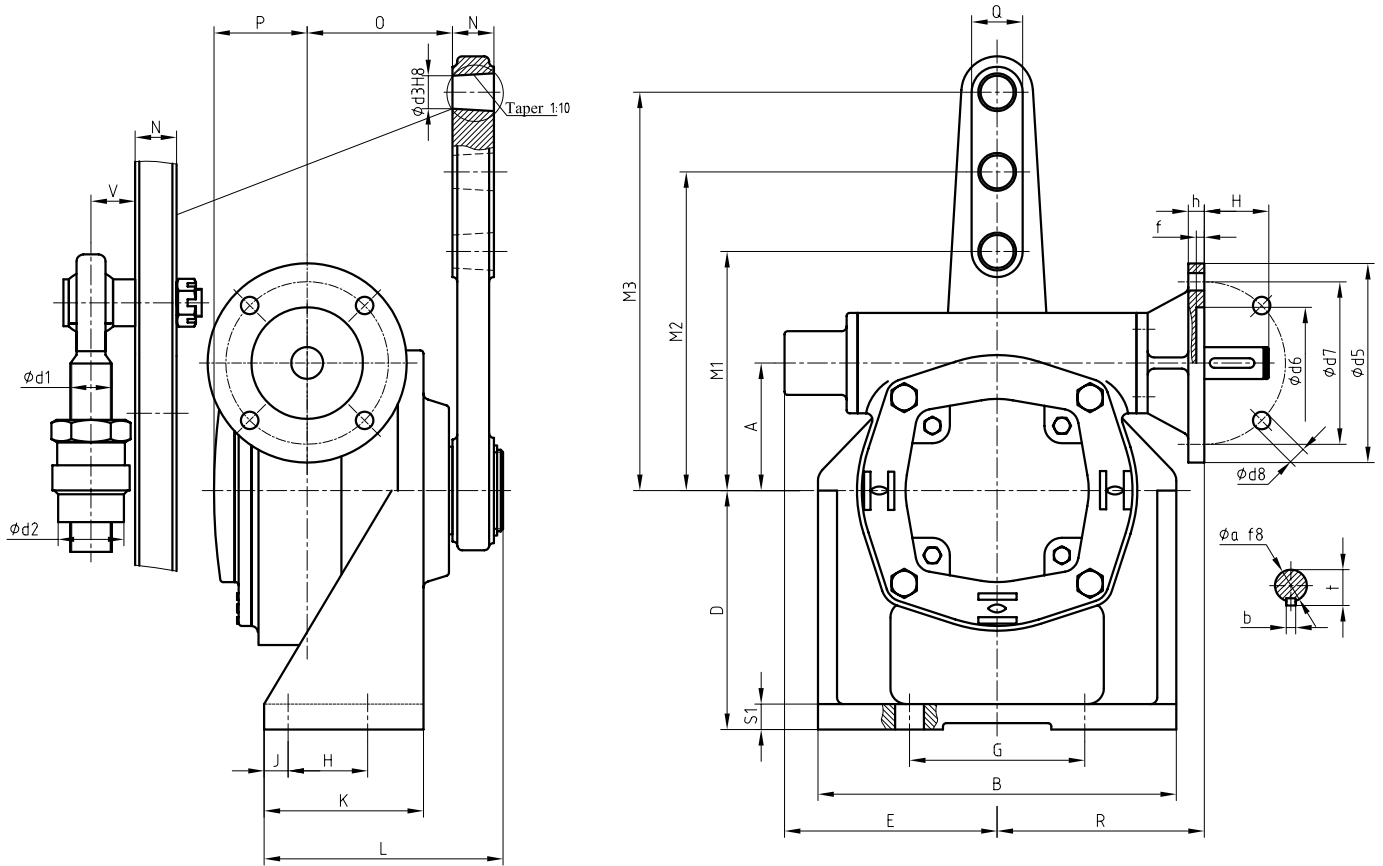
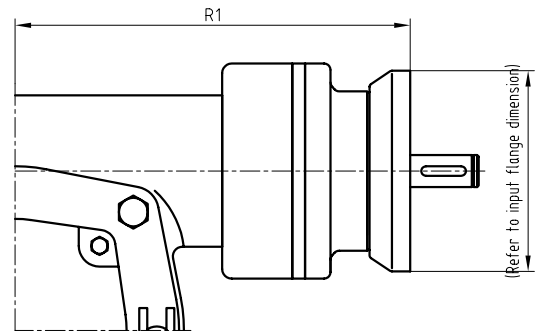
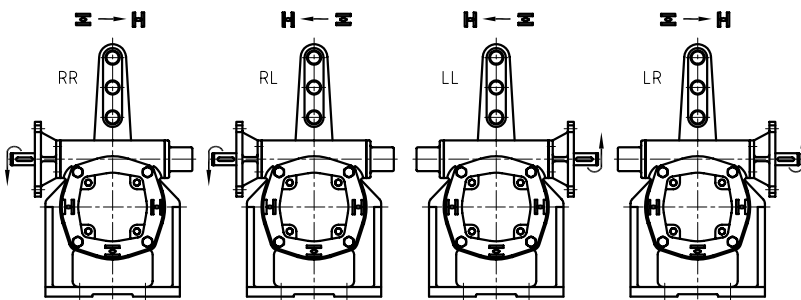


Greatork

Technical Data of FW Range Warm Gearbox with lever



Mounting positions of the different versions



Code	Direction of rotation at input shaft	Position of worm shaft	Direction of rotation at output drive
RR	clockwise	Right side	clockwise
LL	clockwise	Left side	counterclockwise
RL	clockwise	Right side	counterclockwise
LR	clockwise	Left side	clockwise

Input Flange Dimension						
	φd5	φd6	φd7	φd8	f	h
ISO F10	125	70	102	11	5	12
ISO F14	175	100	140	18	5	15

Dimensions	A	B	D	E	G	H	J	K	L	M1	M2	M3	N h11	O	P	Q	R (R1)	S1	V	φd1	φd2	φd3	4-φd4	φa	b	t	H	W(Kg)
FW50	50	150	110	99	80	40	15	80	126	150	200	---	20	71.5	45	26	100	12	30	M20x1.5	34	15.8	11	16	5	18	32	11
FW63	63	190	130	129	110	45	15	90	142	150	200	250	26	77	58	32	125	16	30	M20x1.5	34	17.2	15	20	6	22.5	40	21
FW80	80	225	150	134	110	50	15	100	150	150	200	250	26	91	59	32	130	16	30	M22x1.5	38	20.7	18	20	6	22.5	40	28
FW100	100	265	190	190	140	60	25	125	198	300	400	---	30	125	79	50	190	16	32	M24x1.5	42	26	18	20/30	6/8	22.5/33	40	57
FW100/VZ2.4/VZ4.0	100	265	190	190	140	60	25	125	198	300	400	---	30	125	79	50	259	16	32	M24x1.5	42	26	18	20/30	6/8	22.5/33	40	65
FW125	125	345	210	195	200	60	30	150	225	300	400	---	30	134	84	50	195	18	32	M27x1.5	47	33.5	18	20/30	6/8	22.5/33	40	90
FW125/VZ2.4/VZ4.0	125	345	210	195	200	60	30	150	225	300	400	---	30	134	84	50	264	18	32	M27x1.5	47	33.5	18	20/30	6/8	22.5/33	40	100
FW160	160	410	240	288	250	80	30	160	248	300	400	---	30	165	94	50	275	20	32	M30x1.5	47	33.5	18	20/30	6/8	22.5/33	40	155
FW160/VZ4.0/VZ8.0	160	410	240	288	250	80	30	160	248	300	400	---	30	165	94	50	340	20	32	M30x1.5	47	33.5	18	20/30	6/8	22.5/33	40	165