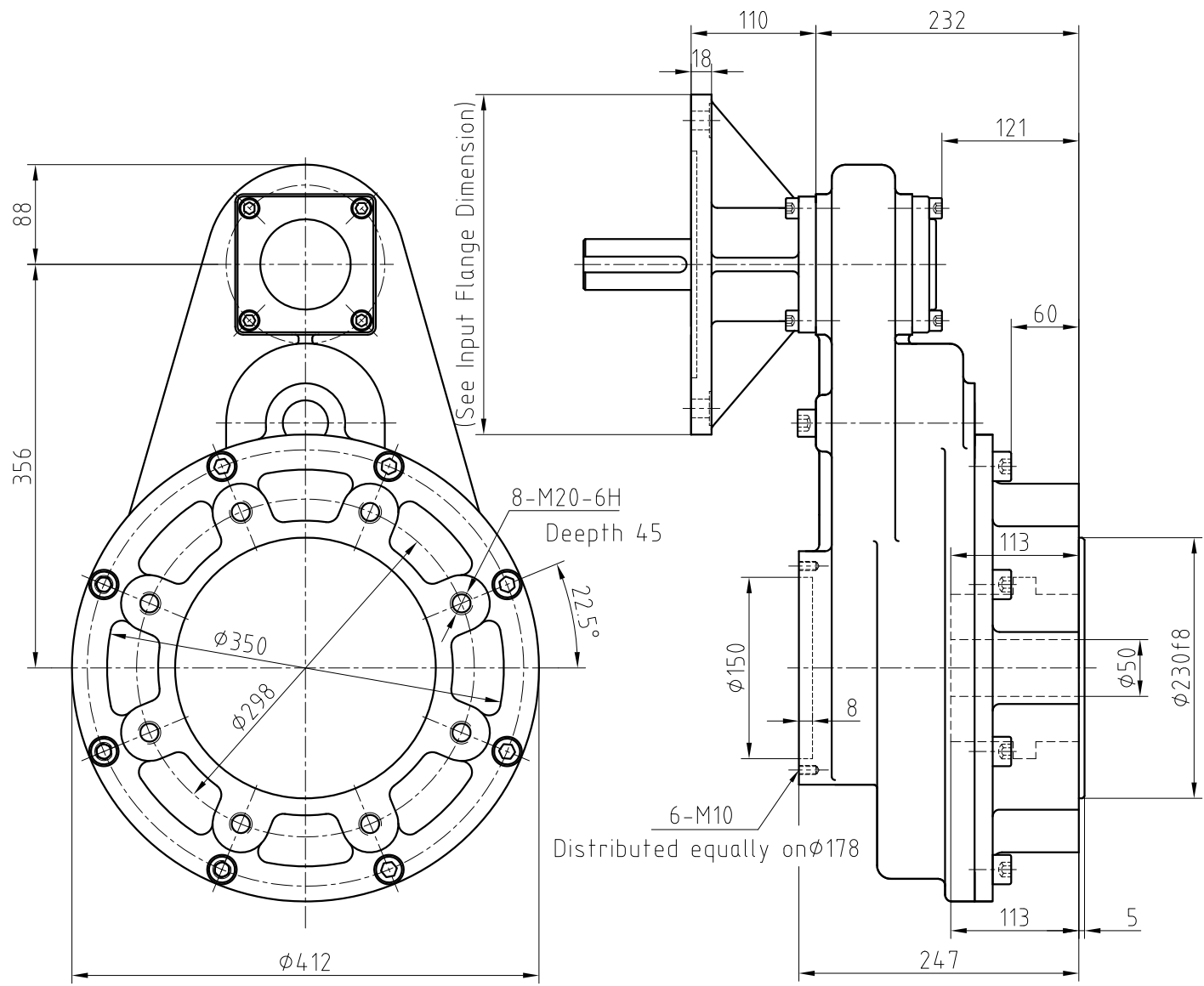


# Tefulong

Multi Turn-IZ Range Technical Data

| Flange dimension |               |              |                 |               |              |                              |             |
|------------------|---------------|--------------|-----------------|---------------|--------------|------------------------------|-------------|
|                  | FLANGE O/DIA. | SHAFT DIA.   | SHAFT EXTENSION | RECESS DIA.   | RECESS DEPTH | HOLE DETAILS (OFF CENTRES)   | KEY DETAILS |
| ISO F14          | φ175          | φ30.00 -0.05 | 60              | φ100.05 +0.05 | 5            | 4 HOLES φ16.5 ON φ140.0 P.C. | 8x7x55      |
| ISO F16          | φ210          | φ40.00 -0.05 | 60              | φ130.05 +0.05 | 5            | 4 HOLES φ20.5 ON φ165.0 P.C. | 12x8x55     |
| ISO F25          | φ300          | φ50.00 -0.05 | 60              | φ200.10 +0.10 | 5            | 8 HOLES φ16.5 ON φ254.0 P.C. | 14x9x55     |



Multi Turn-IZ Range Technical Data

| Type                    | IZ40        |       |       |       |       |       |
|-------------------------|-------------|-------|-------|-------|-------|-------|
| Ratio                   | 4:1         | 6:1   | 8:1   | 10:1  | 12:1  | 14:1  |
| Factor                  | 3.2         | 4.8   | 6.4   | 8.0   | 9.6   | 11.2  |
| Rated Output Torque(Nm) | 3500        |       |       |       |       |       |
| Input Flange            | F14/F16/F25 |       |       |       |       |       |
| Output Flange           | F30         |       |       |       |       |       |
| Rated input Torque (Nm) | 1094        | 729   | 547   | 438   | 365   | 313   |
| Actuator Type           | AVA07       | AVA07 | AVA06 | AVA05 | AVA05 | AVA05 |

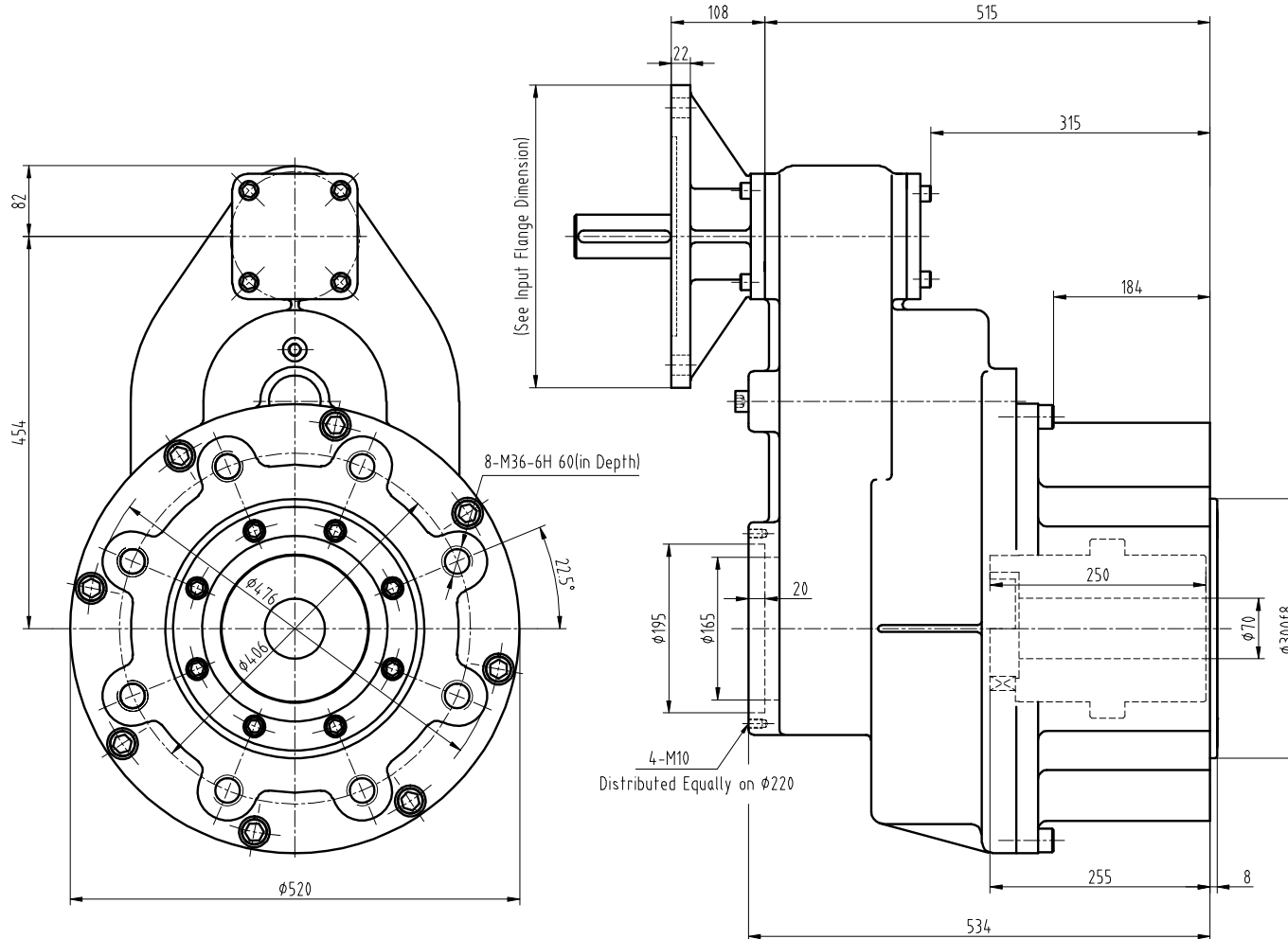
Note: The standard inner hole of IZ gearbox is  $\phi 50$  custom by clients is acceptable, but no exceed  $\phi 90$

# Tefulong

Multi Turn-IZ Range Technical Data

Flange Dimension

|         | FLANGE O/DIA. | SHAFT DIA.   | SHAFT EXTENSION | RECESS DIA.   | RECESS DEPTH | HOLE DETAILS (OFF CENTRES)   | KEY DETAILS |
|---------|---------------|--------------|-----------------|---------------|--------------|------------------------------|-------------|
| ISO F30 | φ350          | φ50.00 -0.05 | 60              | φ230.10 +0.10 | 6            | 8 HOLES φ20.5 ON φ298.0 P.C. | 14x9x55     |



Multi-turn Output-IZ Range Performance Data

| Type                               | IZ60  |                | IZ100 |       |       |
|------------------------------------|-------|----------------|-------|-------|-------|
|                                    | IZ60  | IZ100          | 8:1   | 10:1  | 12:1  |
| Ratio                              | 6:1   | 6:1            | 8:1   | 10:1  | 12:1  |
| Factor                             | 4.2   | 4.2            | 6.4   | 8.0   | 9.6   |
| Rated Output Torque(Nm)            | 6000  | 10000          | 16000 |       |       |
| Input Flange                       | F30   | F30            | F30   | F30   | F30   |
| Output Flange                      | F40   | F40            | F40   | F40   | F40   |
| Corresponding Rated I/O Torque(Nm) | 1428  | 2380           | 2500  | 2500  | 2604  |
| Actuator Type                      | AVA08 | AVA08<br>AVA09 | AVA09 | AVA09 | AVA10 |

Remark:

The inner hole for IZ gearbox coupling is  $\phi 70$  in standard, or under users' requirements.

But it is not allowed to exceed  $\phi 120$ .