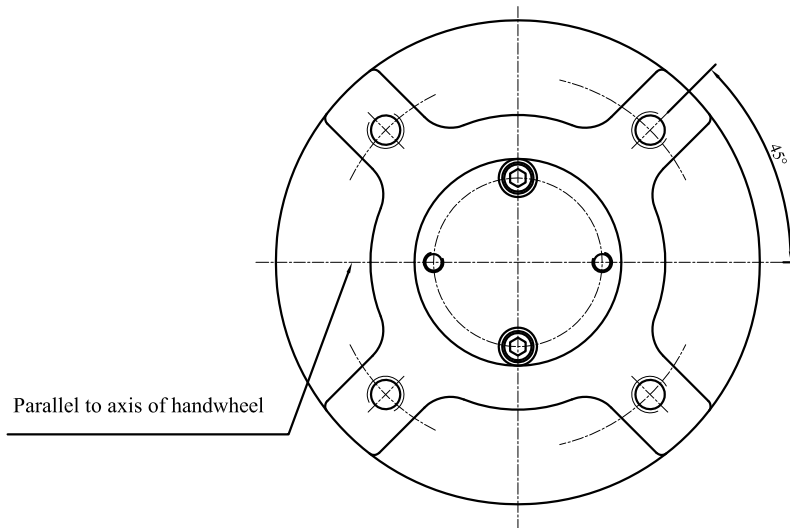


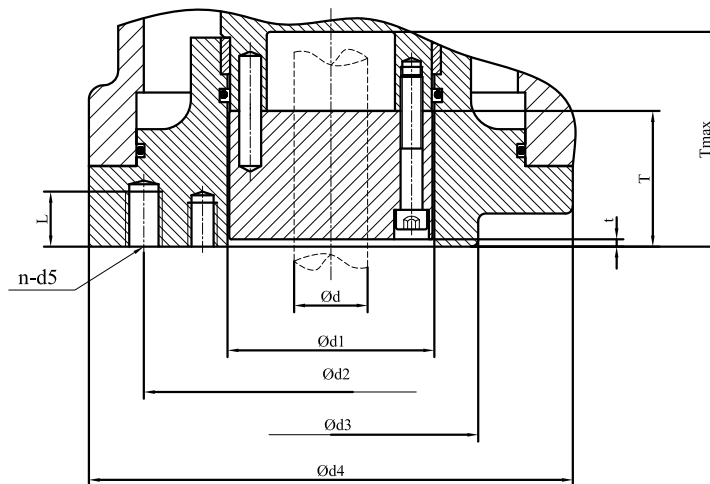
# GREATORK

## Flange structures and dimensions of AVAR

Flange view



Flange section view



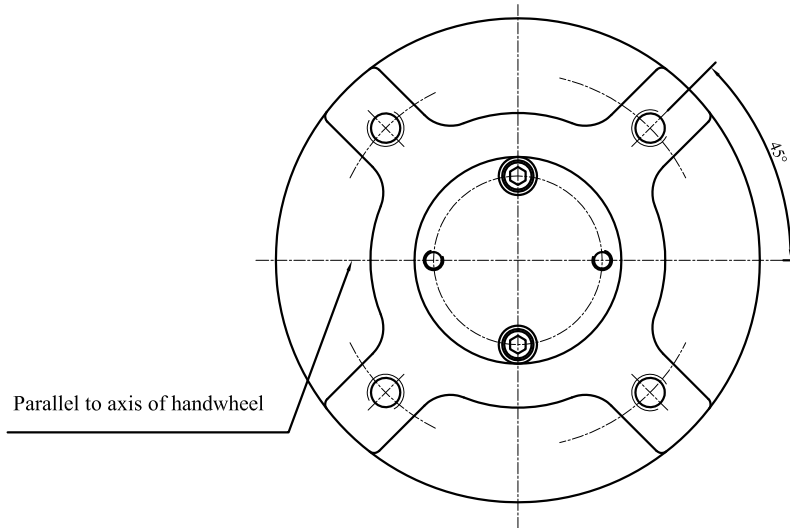
Flange dimension table

Code Type	Flange code	Ød1	Ød2	Ød (max)	Ød3	Ød4	t	T	Tmax	n-d5	L
AVAR5 AVAR10 AVAR15 AVAR20	F05	41	50	22	70	114	3	35	68	4-M6	12
	F07		70								

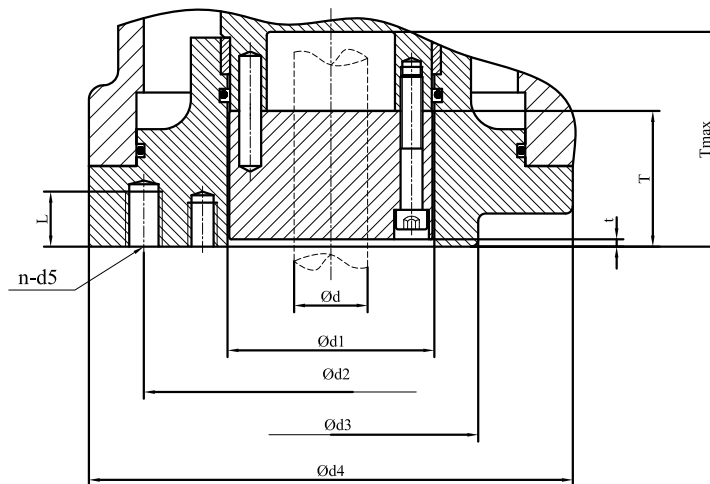
# GREATORK

## Flange structures and dimensions of AVAR

Flange view



Flange section view



Flange dimension table

Code Type	Flange code	Ød1	Ød2	Ød (max)	Ød3	Ød4	t	T	Tmax	n-d5	L
AVAR30 AVAR40 AVAR50	F07	56.4	70	33	80	132	2	37	72	4-M8	12
	F10		102							4-M10	15