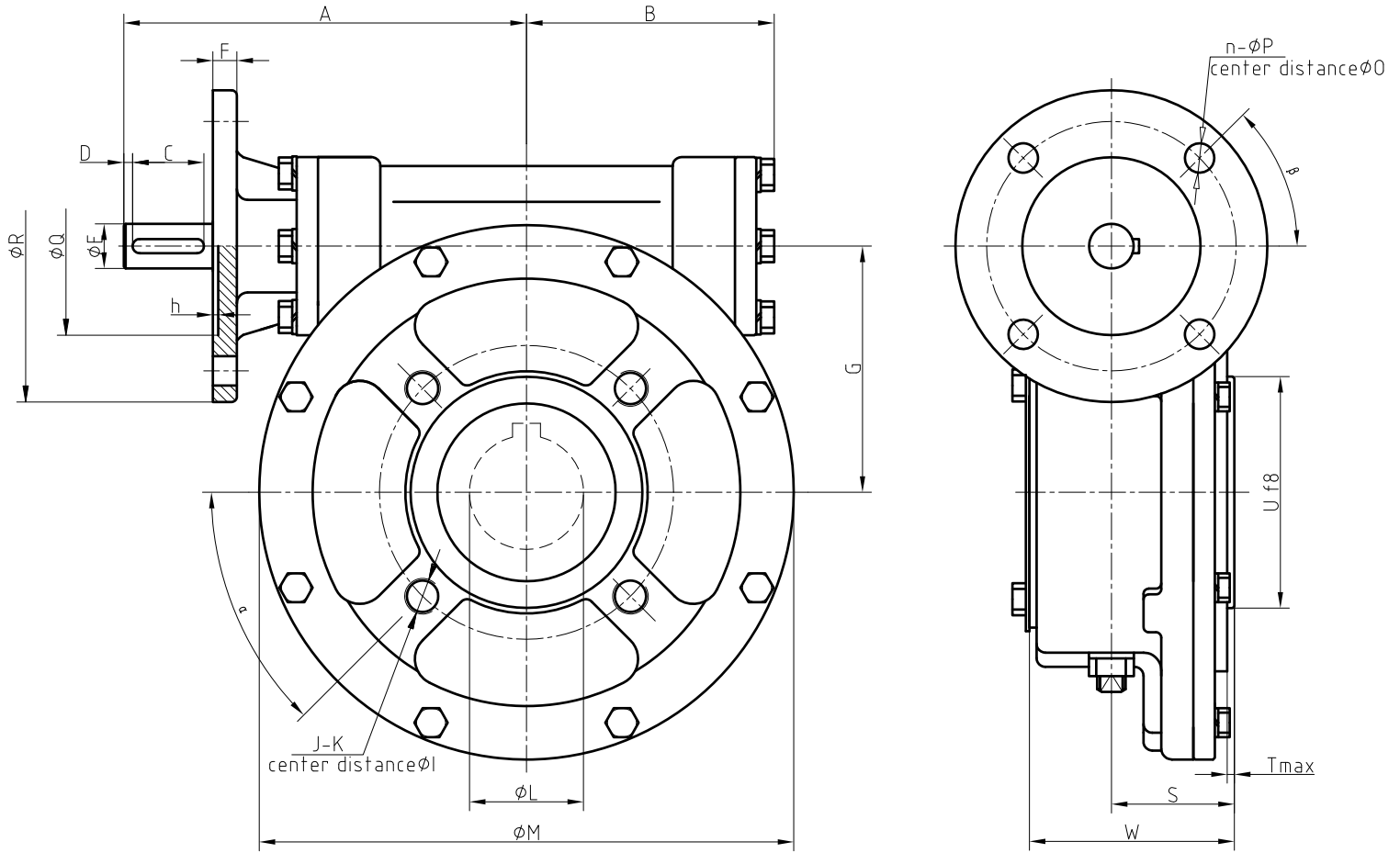


GREATORK ZJ Series Quarter Turn Gearbox Dimension



Model	A	B	C	D	E	F	G	α	I	J-K	Lmax	M	h	β	N-P	Q	R	S	O	W	U	Tmax
ZJ3-40	158	87	30	5	15	12	76	45°	102	4-M10	45	170	3	45°	4-Φ10.5	70	125	42	102	65	70	3
ZJ4-40	182	107	32	6	17	12	105	45°	140	4-M16	64	222	3	45°	4-Φ10.5	70	125	52	102	85	100	3
ZJ4-60																						
ZJ4-70																						
ZJ5-40	228	138	40	5	25	15	138	45°	165	4-M20	76	300	3	45°	4-Φ10.5	70	125	66	102	110	130	3
ZJ5-70																						
ZJ6-40	236	149	40	5	30	15	178	22.5°	254	8-M16	90	375	3	45°	4-Φ16.5	100	175	66	140	115	200	4
ZJ6-70																						
ZJ6-80																						
ZJ7-40	329	199	50	5	40	20	210	22.5°	254	8-M16	100	450	3	45°	4-Φ20.5	130	210	83	165	140	200	4
ZJ7-60																						
ZJ7-70																						
ZJ8-60	365	230	50	5	50	20	249	22.5°	254	8-M16	120	520	3	45°	4-Φ20.5	130	210	95	165	155	-	-

